

Product Technical Specifications



CCTV SECURITY CAMERA

SKU #

CESSX-IP340WAR-UW2



GESSX-IP340WAR-UW2

GESS XTREME™

4MP Vandal-resistant IR Fixed Mini Dome Camera

OPTICS

- Day/night functionality
- Smart IR, up to 15 m (49 ft) IR distance
- 2D/3D DNR (Digital Noise Reduction)
- Up to 120 dB Optical WDR (Wide Dynamic Range)

COMPRESSION

- Ultra 265, H.265, H.264, MJPEG
- Embedded smart algorithm
- Triple streams
- ROI (Region of Interest)

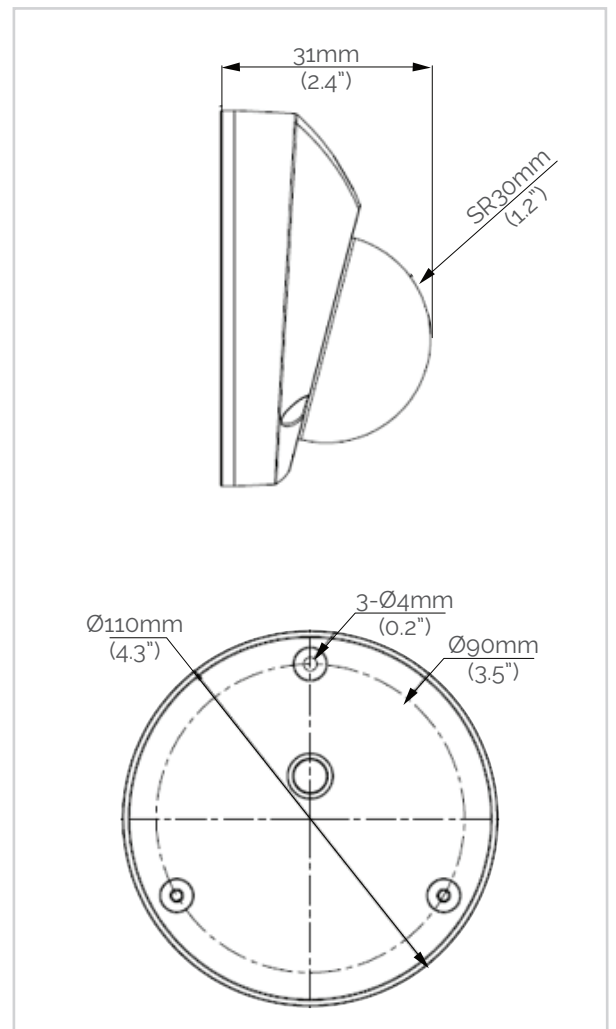
NETWORK

- ONVIF Conformance

STRUCTURE

- Wide temperature range: -35°C to 60°C (-31°F to 140°F)
- Wide voltage range of $\pm 25\%$
- Built-in microphone
- IK10 vandal resistant
- IP66

DIMENSIONS





TECHNICAL SPECIFICATIONS

SKU #

GESSX-IP340WAR-UW2

CAMERA

| | | | | | |
|-------------------------|--|-----------|--------------|-----------------|-------------|
| Sensor | 1/3", progressive scan, 4.0 megapixel, CMOS | | | | |
| Lens | 2.8mm@F2.0 | | | | |
| DORI Distance | Lens | Detect(m) | Observe(m) | Recognize(m) | Identify(m) |
| | 2.8mm | 63 | 25.2 | 12.6 | 6.3 |
| | 3.6mm | 81 | 32.4 | 16.2 | 8.1 |
| Angle of View (H) | 104.4° | | | 86.4° | |
| Angle of View (V) | 54.4° | | | 44.1° | |
| Angle of View (O) | 135.7° | | | 112.3° | |
| Adjustment angle | Pan: -30°~30° | | Tilt: 0°~90° | Rotate: 0°~360° | |
| Shutter | Auto/Manual, 1/6~1/100000 s | | | | |
| Minimum Illumination | Colour: 0.03 Lux (F2.0, AGC ON) 0 Lux with IR | | | | |
| Day/Night | IR-cut filter with auto switch (ICR) | | | | |
| Digital noise reduction | 2D/3D DNR | | | | |
| S/N | ≥55 dB | | | | |
| IR Range | Up to 15m (49 ft) IR range | | | | |
| Defog | Digital Defog | | | | |
| WDR | 120dB | | | | |

Video

| | |
|--------------------|---|
| Video Compression | Ultra 265,H.265, H.264, MJPEG |
| H.264 code profile | Baseline profile, Main Profile, High Profile |
| Frame Rate | Main Stream:4MP (2592×1520): Max. 20 fps, 4MP (2560×1440): Max. 25 fps, 3MP (2048×1520): Max. 30 fps; Sub Stream:2MP (1920×1080): Max. 30 fps; Third Stream:D1(720×576) : Max. 30fps |
| HLC | Supported |
| BLC | Supported |
| 9:16 Corridor Mode | Supported |
| OSD | Up to 8 OSDs |
| Privacy Mask | Up to 8 areas |
| ROI | Up to 8 areas |
| Motion Detection | Up to 4 areas |

SMART

| | |
|----------------------------|---|
| Behavior Detection | Intrusion, cross line, motion detection |
| Intrusion | Enter and loiter in a pre-defined virtual region |
| cross line | Cross a pre-defined virtual line |
| motion detection | Moving within a pre-defined virtual region |
| Recognition | Face detection, Audio detection |
| Intelligent Identification | Defocus, Scene Change |
| Statistical Analysis | People counting |
| General Function | Watermark, IP Address Filtering, Tampering Alarm, Access Policy, ARP Protection, RTSP Authentication, User Authentication |

AUDIO

| | |
|-------------------|-----------|
| Audio Compression | G.711 |
| Suppression | Supported |
| Suppression | Supported |
| Sampling Rate | 8 KHZ |

NETWORK

| | |
|------------------------|---|
| Protocols | IPv4, IGMP, ICMP, ARP, TCP, UDP, DHCP, PPPoE, RTP, RTSP, RTCP, DNS, DDNS, NTP, FTP, UPnP, HTTP, HTTPS, SMTP, 802.1x, SNMP |
| Compatible Integration | ONVIF(Profile S, Profile G), API |

INTERFACE

| | |
|--------------|--|
| Audio I/O | Audio cable |
| | Input: impedance 35 k Ω ; amplitude 2 V [p-p] |
| | Output: impedance 600 Ω ; amplitude 2 V [p-p] |
| Built-in Mic | Supported |
| Network | 1 RJ45 10M/100M Base-TX Ethernet |

GENERAL

| | |
|---------------------------------|--|
| Power | 12 V DC \pm 25%, PoE (IEEE 802.3af) |
| | Power consumption:Max 5W |
| Dimensions (\varnothing x H) | \varnothing 110 x 61 mm (\varnothing 4.3" x 2.4") |
| Weight | 0.25 kg (0.55 lb) |
| Working Environment | -35°C ~ +60°C (-31°F ~ 140°F), Humidity:10%~95% RH(non-condensing) |
| Ingress Protection | IP66 |
| Vandal Resistant | IK10 |

