

# Product Technical Specifications



CCTV SECURITY CAMERA

SKU #

CESSU-IP740ZMVRA-UW2



# GESSU-IP740ZMVRA-UW2

## GESS ULTRA

4MP VF Vandal-resistant Network IR Bullet Camera

### FEATURES

#### OPTICS

- Day/night functionality
- SmartIR , up to 30 m (98 ft) IR distance
- IR anti-reflection window to increase the infrared transmittance
- 2D/3D DNR (Digital Noise Reduction)

#### COMPRESSION

- Ultra 265,H.265, H.264, MJPEG
- Triple streams

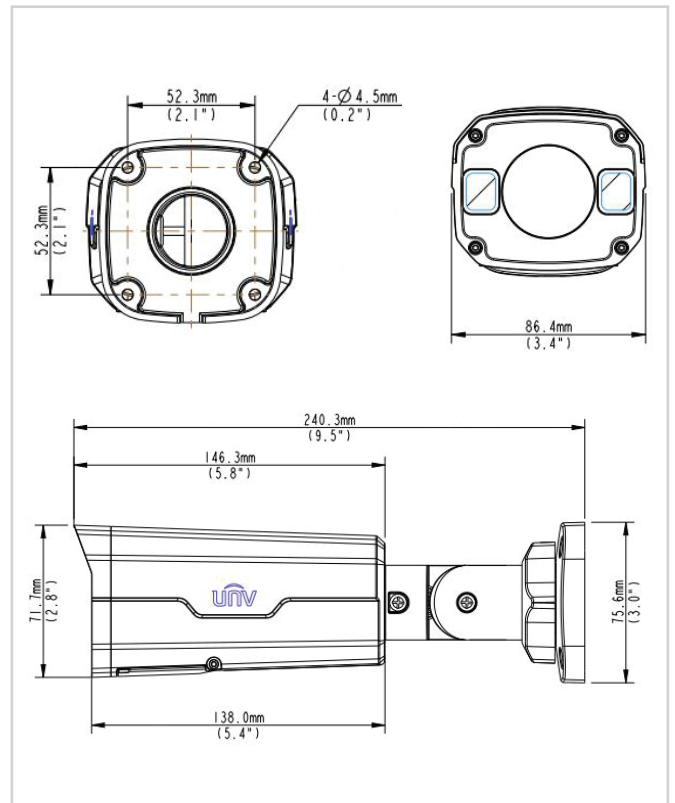
#### NETWORK

- ONVIF Conformance

#### STRUCTURE

- Wide temperature range: -30°C to 60°C (-22°F to 140°F)
- Wide voltage range of  $\pm 25\%$
- IP67
- 3-Axis

### DIMENSIONS





## TECHNICAL SPECIFICATIONS

SKU #

# GESSU-IP740ZMVRA-UW2

### CAMERA

<b>Sensor</b>	1/3", 4.0 megapixel, progressive scan, CMOS				
<b>Lens</b>	2.8~12 mm, manual zoom lens		2.8~12 mm, motorized zoom lens		
<b>DORI Distance</b>	<b>Lens</b>	<b>Detect (m)</b>	<b>Observe (m)</b>	<b>Recognize (m)</b>	<b>Identify (m)</b>
	2.8mm	63	25.2	12.6	6.3
	12mm	270	108	54	27
<b>Angle of View(H)</b>	91° ~ 27°				
<b>Angle of View (V)</b>	54.4°~13.7°				
<b>Angle of View (O)</b>	118.3°~33.2°				
<b>Adjustment angle</b>	Pan: 0°~360°		Tilt: 0°~90°	Rotate: 0°~360°	
<b>Shutter</b>	Auto/Manual, 1~1/100000 s				
<b>Minimum Illumination</b>	Colour: 0.01 Lux (F1.6, AGC ON) 0 Lux with IR on				
<b>Digital noise reduction</b>	2D/3D DNR				
<b>Day/Night</b>	IR-cut filter with auto switch (ICR)				
<b>S/N</b>	>52 dB				
<b>IR Range</b>	Up to 30m (98 ft) IR range				
<b>WDR</b>	DWDR				

### VIDEO

<b>Video Compression</b>	Ultra 265, H.265, H.264, MJPEG
<b>H.264 code profile</b>	Baseline profile, Main Profile
<b>Frame Rate</b>	Main Stream: 4MP (2592*1520): Max. 20fps; Sub Stream: 720P (1280*720): Max. 20 fps; Third Stream: D1 (704*576): Max. 20fps
<b>HLC</b>	Supported
<b>BLC</b>	Supported
<b>OSD</b>	Up to 4 OSDs
<b>Privacy Mask</b>	Up to 8 areas
<b>ROI</b>	Up to 2 areas
<b>Motion Detection</b>	Up to 4 areas

## NETWORK

Protocols	IPv4,IGMP,ICMP,ARP,TCP,UDP,DHCP, RTP,RTSP,RTCP, DNS,DDNS,NTP,FTP,UPnP,HTTP,HTTPS,SMTP, SSL,QoS
Compatible Integration	ONVIF(Profile S, Profile G, Profile T), API

## INTERFACE

Network	1 RJ45 100M Base-TX Ethernet
Edge Storage	MicroSD, up to 256GB

## GENERAL

Power	12 V DC±25%, PoE (IEEE802.3 af)
	Power consumption: Max 6.5W
Dimensions (L x W x H)	240.3x86.4x75.6mm(9.46"x3.4"x2.98")
Weight	1kg (2.2lb)
Working Environment	-30°C ~ +60°C (-22°F ~ 140°F), Humidity :10%~90% RH(non-condensing)
Ingress Protection	IP67

🌐 [www.gess-inc.com](http://www.gess-inc.com)    ✉ [info@gess-inc.com](mailto:info@gess-inc.com)

USA | PUERTO RICO | COLOMBIA



**GESS**<sup>®</sup>  
TECHNOLOGIES