



TR-JB04-C-IN

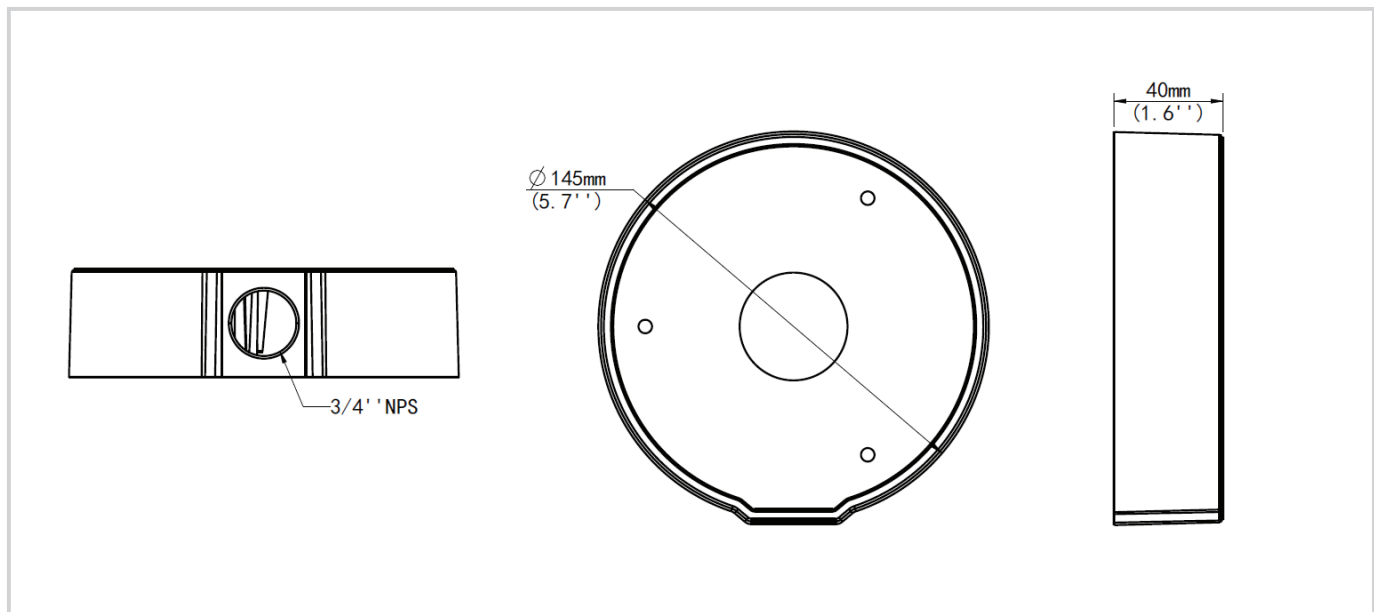
4-inch Fixed Dome Junction Box

SPECIFICATION

BRACKET

Application	Wall installation for IPC323 Series fixed dome
Dimensions(L x W x H)	Φ145mmx40mm (5.7" x1.6")
Weight	0.24kg(0.5lb)
Material	Aluminum alloy

DIMENSIONS



🌐 www.gess-inc.com ✉ info@gess-in.com

USA | PUERTO RICO | COLOMBIA



GESS[®]
TECHNOLOGIES