



# TR-WM03-C-IN

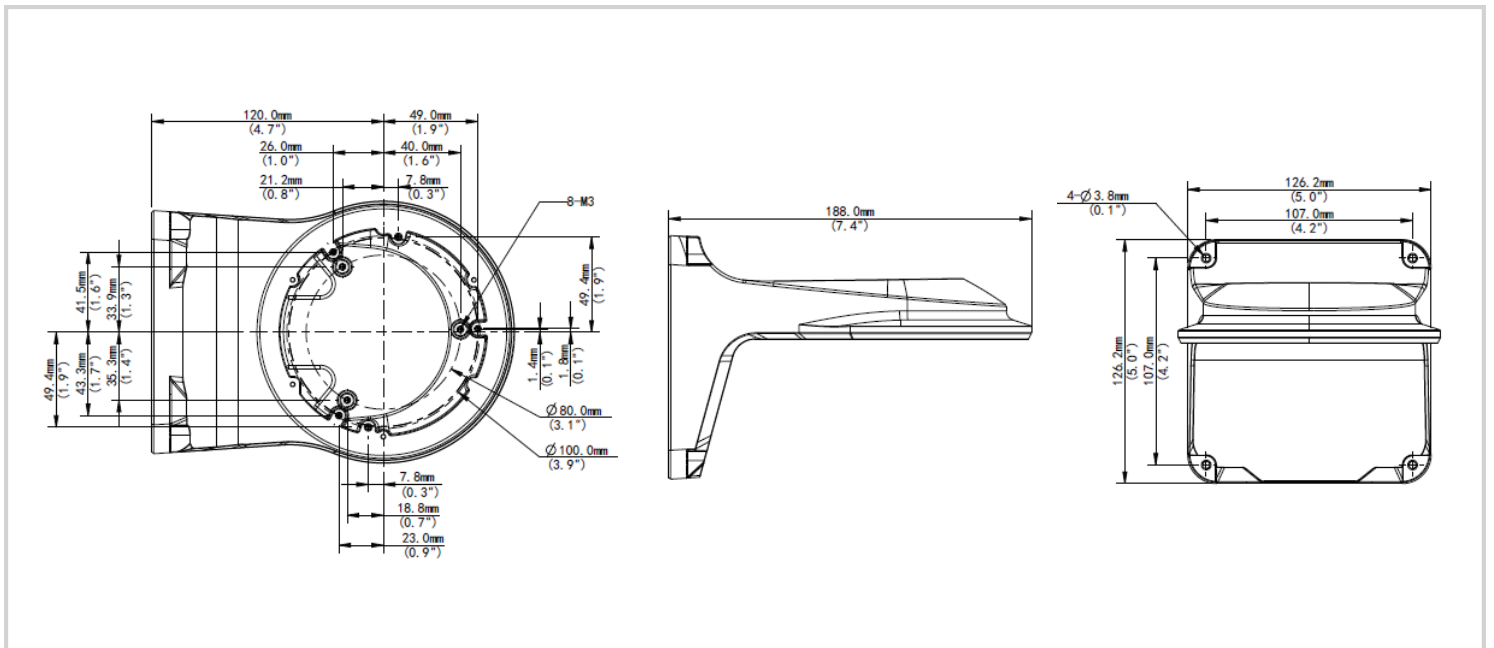
4-inch Fixed Dome Outdoor Wall Mount

## SPECIFICATION

### BRACKET

Application	Wall installation for IPC32X and IPC361X series
Dimensions	126.2mmx126.2mmx188mm (5" x5" x7.4")
Weight	0.51kg(1.1lb)
Material	Aluminum alloy

## DIMENSIONS



www.gess-inc.com | info@gess-in.com

USA | PUERTO RICO | COLOMBIA



**GESS**<sup>®</sup>  
TECHNOLOGIES