



TR-JB07/WM03-E-IN

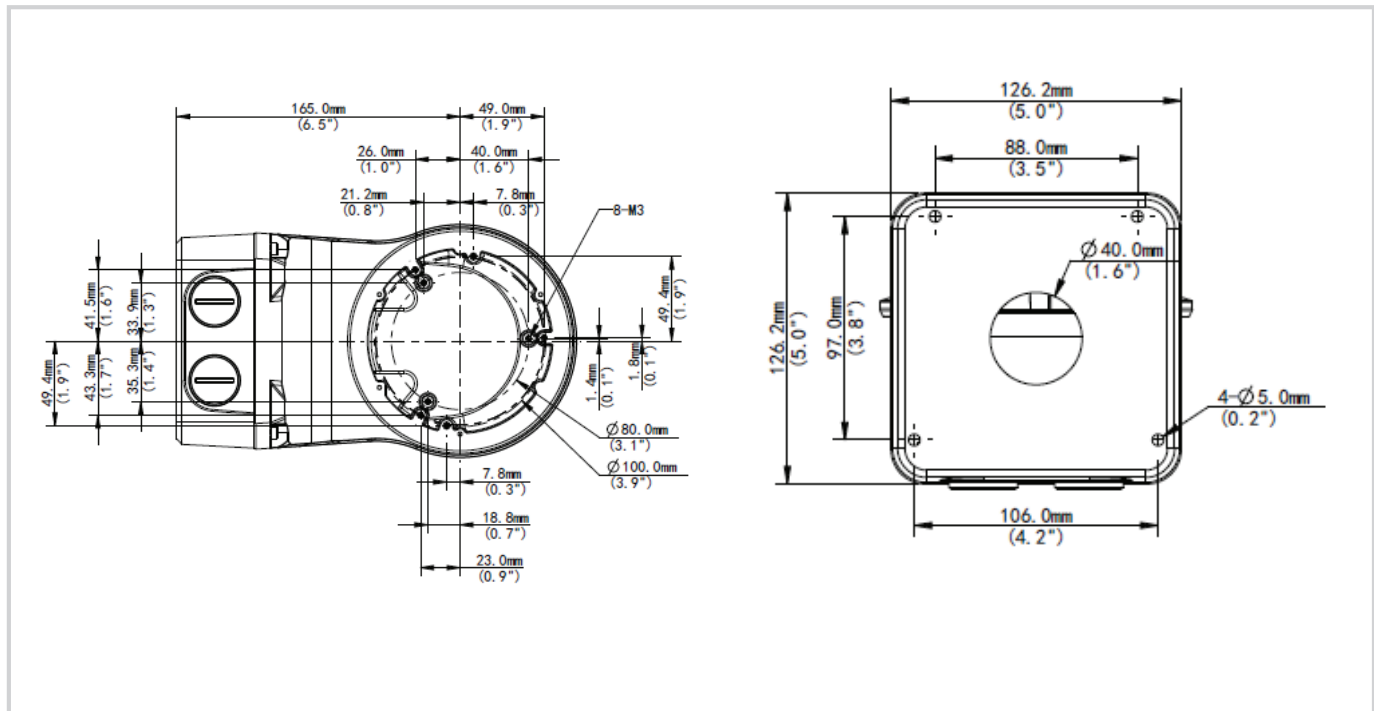
3-inch Fixed Dome Wall Mount

SPECIFICATION

BRACKET

Application	Wall installation for IPC32X and IPC361X series
Dimensions(L x W x H)	126.2mmx126.2mmx233mm (5" x5" x9.2")
Weight	0.96kg(2.1lb)
Material	Aluminum alloy

DIMENSIONS



🌐 www.gess-inc.com ✉ info@gess-in.com

USA | PUERTO RICO | COLOMBIA



GESS[®]
TECHNOLOGIES