



TR-A01-IN

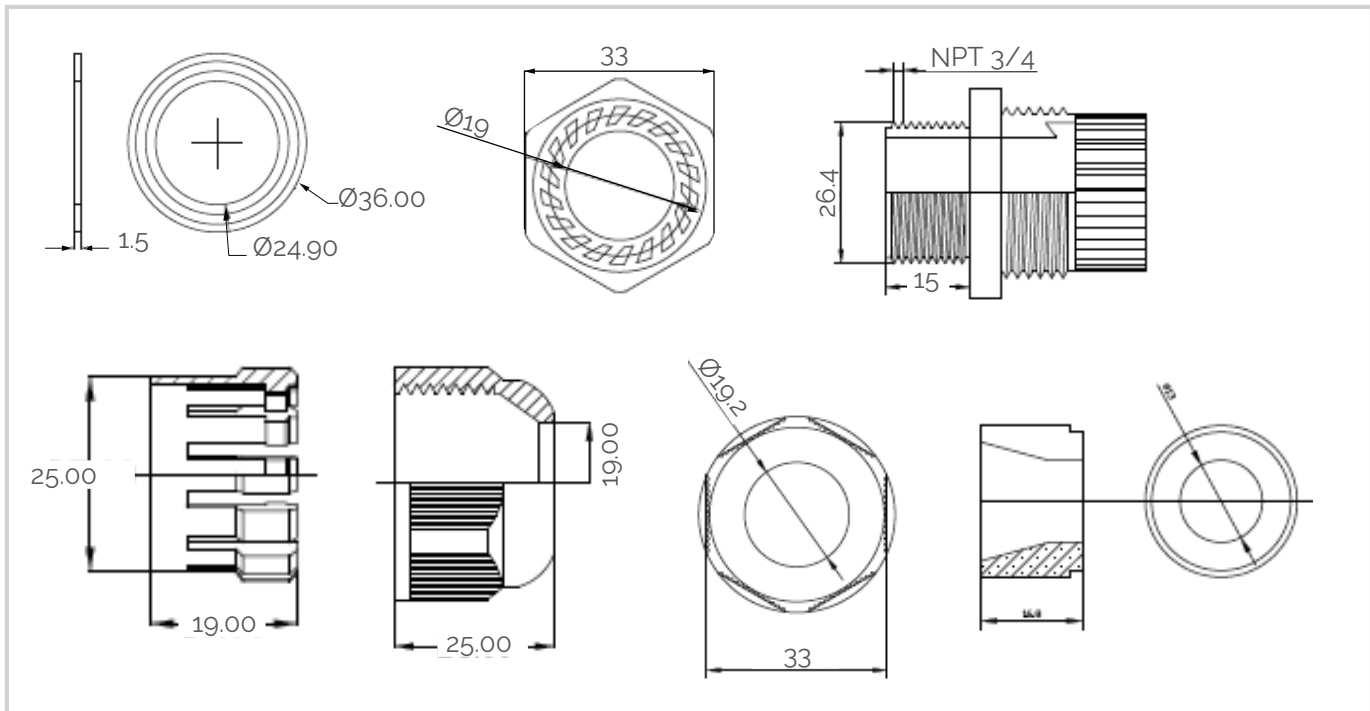
Plastic waterproof joint

SPECIFICATION

BRACKET

Application	Indoor and outdoor
Dimensions(L × W × H)	Ø37mm*46mm (1.45"~1.81")
Weight	0.023kg(0.05lb)
Material	Plastic

DIMENSIONS



www.gess-inc.com
✉ info@gess-in.com

USA | PUERTO RICO | COLOMBIA



GESS[®]
TECHNOLOGIES