

# Product Technical Specifications



SKU #

GESSD-4PTZ920M4XIR

# GESSD-4PTZ920M4XIR

*GESS Dynamic™*

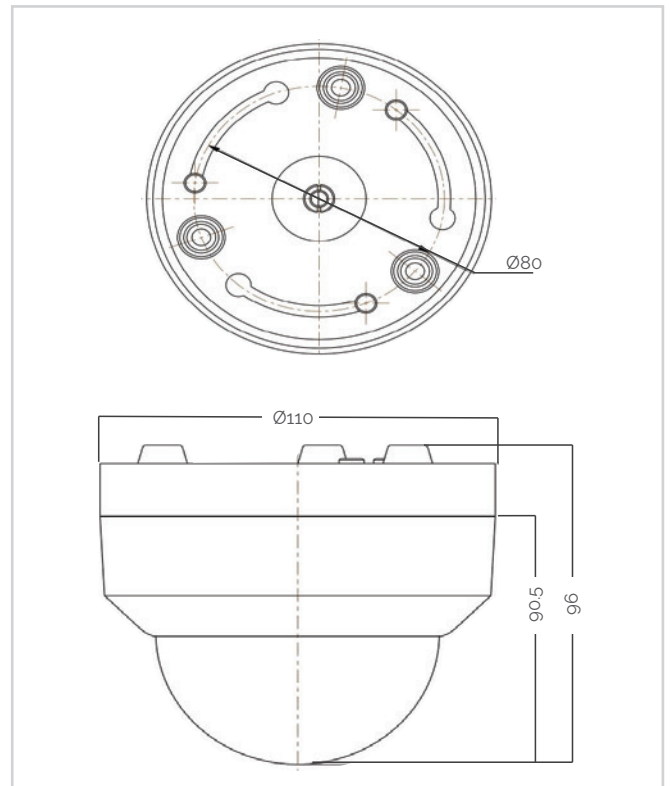
4 IN 1 Vandal Proof PTZ Dome



## MAIN FEATURES

- 1.5 inch Vandal proof body, IP67.IK10
- IR range reach up to 45 Meters
- Support coaxial function
- Pan/Tilt/Zoom, A-B scan, tour available
- Real time transmission, lossless video
- Support AHD/TVI/CVI/CVBS output

## DIMENSIONS





## TECHNICAL SPECIFICATIONS

SKU #

# GESSD-4PTZ920M4XIR

### CAMERA

Sensor	1/3" CMOS 2MP SONY307(Starlight)
Output pixel	1920x1080/30fps,1920x1080/25fps
Lens	4X f=2.8~12MM
BLC	Support
AGC	Auto/Manual
WB	Indoor/Outdoor/Auto/Manual
S/N Ratio	>50dB

### DOME

Rotation Range	Pan: 0°~350° , Tilt: 0°~70 °
Rotation Speed	Pan: 0~25°/s , Tilt: 0~20°/s
Auto Flip	Support
Preset Points	220pcs preset( Dwell time 01-60s interval available)
Guard Tours	3 groups ( each group 16 preset, dwell time and speed selectable)
AB scan range	Support, 0~350°
AB scan speed	1-9 grades
Signal Transfer	AHD/CVI/TVI/CVBS selectable
Operating temperature	-30°C~+60°C
Auto Control IR LED	PWM
Consumption	≤10W
Lightning Protection	Transient voltage 6000V
Package Box	145*145*132mm
Weight	N: 0.55KG/ G:0.7KG

### IR PARAMETERS

Auto Control IR LED	PWM
IR distance	up to 45 meters
LEDs	Array 30Mil 4pcs

🌐 [www.gess-inc.com](http://www.gess-inc.com) ✉ [info@gess-in.com](mailto:info@gess-in.com)

USA | PUERTO RICO | COLOMBIA



**GESS**<sup>®</sup>  
TECHNOLOGIES