

Product Technical Specifications



CCTV SECURITY CAMERA

SKU #

CESSU-IP640ARA-UW2



CESS®
TECHNOLOGIES



GESSU-IP640ARA-UW2

GESS ULTRA™

4MP Fixed Dome Network Camera



FEATURES

OPTICS

- Day/night functionality
- SmartIR, up to 30 m (98 ft) IR distance
- 2D/3D DNR (Digital Noise Reduction)

COMPRESSION

- Ultra 265, H.265, H.264, MJPEG
- Triple streams
- 9:16 corridor format

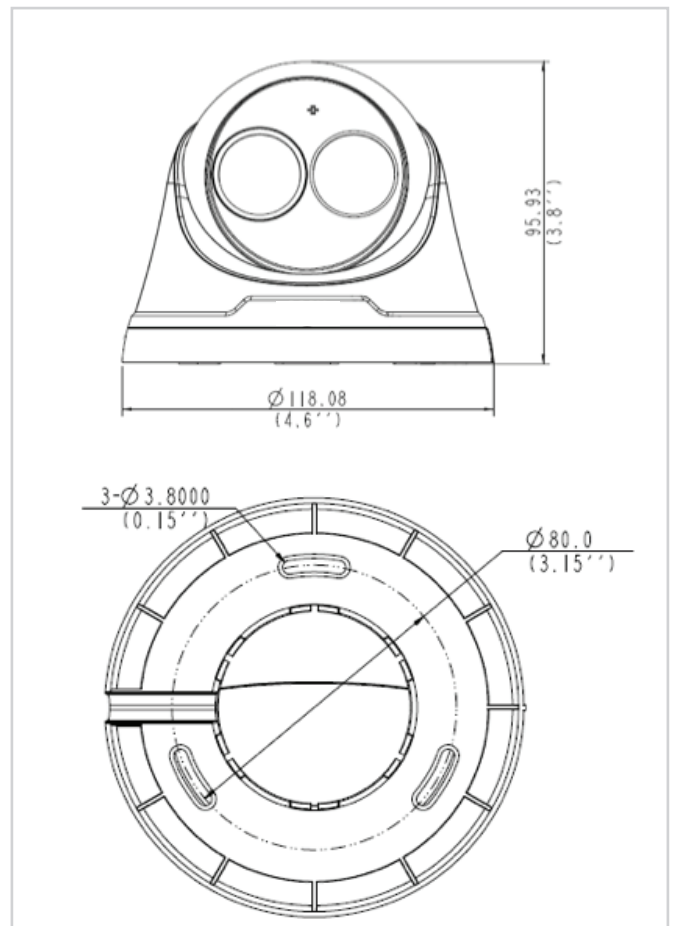
NETWORK

- ONVIF Conformance

STRUCTURE

- Wide temperature range: -20°C to 50°C (-4°F to 122°F)
- Wide voltage range of ±25%

DIMENSIONS





TECHNICAL SPECIFICATIONS

SKU #

GESSU-IP640ARA-UW2

CAMERA

| | | | | | |
|--------------------------------|--|------------|--------------|---------------|--------------|
| Sensor | 1/3", progressive scan, 4megapixel, CMOS | | | | |
| Lens | 2.8mm@F1.8 | | 4mm@F1.8 | | |
| DORI Distance | Lens | Detect (m) | Observe (m) | Recognize (m) | Identify (m) |
| | 2.8mm | 63 | 25.2 | 12.6 | 12.6 |
| | 4mm | 90 | 36 | 18 | 18 |
| Angle of View(H) | 104.4° | | 104.4° | | |
| Angle of View (V) | 54.4° | | 39.6° | | |
| Angle of View (O) | 135.7° | | 97.1° | | |
| Adjustment angle | Pan: 0°~360° | | Tilt: 0°~75° | | |
| Shutter | Auto/Manual, 1/6~1/100000 s | | | | |
| Minimum Illumination | Colour: 0.02 Lux (F1.8, AGC ON) 0 Lux with IR | | | | |
| Day/Night | IR-cut filter with auto switch (ICR) | | | | |
| Digital noise reduction | 2D/3D DNR | | | | |
| S/N | >52 dB | | | | |
| IR Range | Up to 30m (98 ft) IR range | | | | |
| Defog | Digital Defog | | | | |
| WDR | DWDR | | | | |
| AWB(Auto white balance) | Auto/manual | | | | |
| Gain Control | Auto/manual | | | | |

NETWORK

| | |
|-------------------------------|---|
| Protocols | IPv4, IGMP, ICMP, ARP, TCP, UDP, DHCP, PPPoE, RTP, RTSP, RTCP, DNS, DDNS, NTP, FTP, UPnP, HTTP, HTTPS, SMTP, 802.1x, SNMP |
| Compatible Integration | ONVIF(Profile S), API |

VIDEO

| | |
|--------------------|--|
| Video Compression | Ultra 265,H.265, H.264, MJPEG |
| H.264 code profile | Baseline profile, Main Profile, High Profile |
| Frame Rate | Main Stream:4MP (2592×1520): Max. 20 fps, 4MP (2560×1440): Max. 25 fps, 3MP (2048×1520): Max. 30 fps,2MP(1920×1080): Max. 30 fps; Sub Stream:2MP (1920×1080): Max. 30 fps; Third Stream:D1(720×576) : Max. 30fps |
| HLC | Supported |
| BLC | Supported |
| 9:16 Corridor Mode | Supported |
| OSD | Up to 8 OSDs |
| Privacy Mask | Up to 8 areas |
| ROI | Up to 8 areas |
| Motion Detection | Up to 4 areas |

INTERFACE

| | |
|---------|----------------------------------|
| Network | 1 RJ45 10M/100M Base-TX Ethernet |
|---------|----------------------------------|

GENERAL

| | |
|----------------------|---|
| Power | 12 V DC±25%, PoE (IEEE802.3 af) Power consumption: Max 5.0W |
| Dimensions (Ø x H) | Φ118 x 96 mm (Ø4.6" x 3.8") |
| Weight | 0.2 kg (0.44lb) |
| Operating Conditions | -20C ~ +50°C (-4°F ~ 122°F), Humidity :10%~95% RH(non-condensing) |

