

# Product Technical Specifications



CCTV SECURITY CAMERA

SKU #

CESSX-CVI640CR-W2



# GESSX-CVI640CR-W2

**GESS XTREME™**

4MP HDCVI IR Eyeball Camera



## MAIN FEATURES

- Max 30fps@4MP WDR
- HD and SD output switchable
- 2.8 fixed lens
- Max. IR length 30m, Smart IR
- IP67, DC12V

## RECOMMENDED USE

Ideal for:

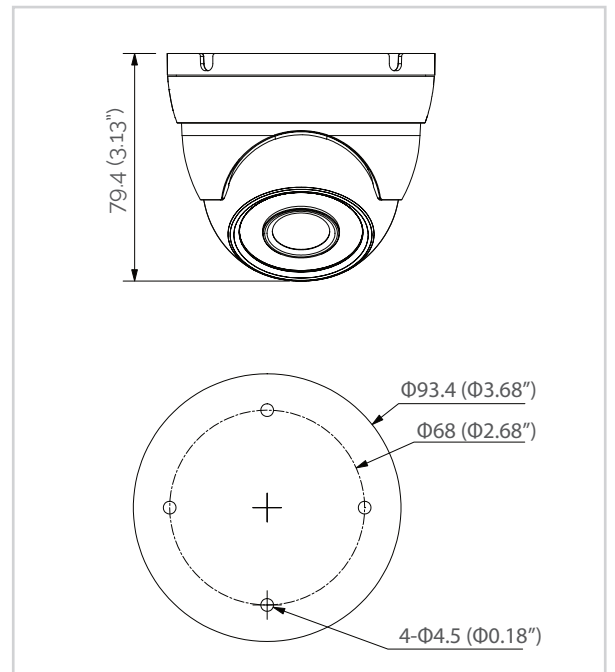
- Commonly used for short range distance in Outdoor and Indoor environments.
- Low height Mounting

## IP 67

**NO DUST**

Ingress of water in harmful quantity shall not be possible when the enclosure is immersed in water under defined conditions of pressure and time (up to 1 m of submersion).

## DIMENSIONS





## TECHNICAL SPECIFICATIONS

SKU #

# GESSX-CVI640CR-W2

### CAMERA

Image Sensor	1/3" CMOS
Effective Pixels	2688(H)×1520(V), 4.1MP
Scanning System	Progressive
Electronic Shutter Speed	PAL: 1/25~1/100000s NTSC: 1/30~1/100000s
Minimum Illumination	0.03Lux/F2.0, 30IRE, 0Lux IR on
S/N Ratio	More than 65dB
IR Distance	Up to 30m (98feet)
IR On/Off Control	Auto / Manual
IR LEDs	12

### LENS

Lens Type	Fixed lens / Fixed iris
Mount Type	Board-in
Focal Length	2.8mm
Max Aperture	F2.0
Angle of View	H: 84.8° (99.7°/52.5°)
Focus Control	N/A
Close Focus Distance	1100mm (800mm)

### DORI Distance

Note: The DORI distance is a "general proximity" of distance which makes it easy to pinpoint the right camera for your needs. The DORI distance is calculated based on sensor specification and lab test result according to EN 62676-4 which defines the criteria for Detect, Observe, Recognize and Identify respectively

	DORI Definition	Distance
Detect	25px/m (8px/ft)	2.8mm: 63m (208ft) 3.6mm: 80m (262ft) 6mm: 117m (385ft)
Observe	63px/m (19px/ft)	2.8mm: 25m (83ft) 3.6mm: 32m (105ft) 6mm: 47m (154 ft)
Recognize	125px/m (38px/ft)	2.8mm: 25m (42ft) 3.6mm: 32m (53ft) 6mm: 47m (77ft)
Identify	250ppm (76px/ft)	2.8mm: 25m (21ft) 3.6mm: 32m (26ft) 6mm: 47m (39ft)

### Pan/Tilt/Rotation

Pan/Tilt/Rotation	Pan: 0° ~ 360° Tilt: 0° ~ 90° Rotation: 0°~360°
-------------------	---

SKU #



# GESSX-CVI640CR-W2

## Video

Resolution	4MP (2560×1440)
Frame Rate	25/30fps@4MP, 25/30fps@1080P, 25/30fps@720P
Video Output	1-channel BNC high definition video output / CVBS video output (Can switch)
Day/Night	Auto (ICR) / Manual
OSD Menu	Multi-language
BLC Mode	BLC / HLC / DWDR
WDR	DWDR
Gain Control	AGC
Noise Reduction	2D
White Balance	Auto / Manual
Smart IR	Auto / Manual

## CERTIFICATIONS

Certifications	CE (EN55032, EN55024, EN50130-4)FCC (CFR 47 FCC Part 15 subpartB, ANSI C63.4-2014)UL (UL60950-1+CAN/CSA C22.2 No.60950-1)
----------------	---

## INTERFACE

Audio Interface	N/A
-----------------	-----

## ELECTRICAL

Power SupplyPower	12V DC ±25%
Consumption	Max 3.2W (12V DC, IR on)

## ENVIRONMENTAL

Operating Conditions	-40°C ~ +60°C (-40°F ~ +140°F) / Less than 90% RH* Start up should be done at above -40°C (-40°F)
Storage Conditions	-40°C ~ +60°C (-40°F ~ +140°F) / Less than 90% RH
Ingress Protection &Vandal Resistance	IP67

## CONSTRUCTION

Casing	Aluminium
Dimensions	Φ93.4mm×79.4mm (Φ3.68"×3.13")
Net Weight	0.28kg (0.62lb)
Gross Weight	0.35kg (0.77lb)

🌐 [www.gess-inc.com](http://www.gess-inc.com) ✉ [info@gess-in.com](mailto:info@gess-in.com)

USA | PUERTO RICO | COLOMBIA



**GESS**<sup>®</sup>  
TECHNOLOGIES