

Product Technical Specifications



CCTV SECURITY CAMERA

SKU #

CESSX-2ACT620CMVRA-W2

GESSX-2ACT620CMVRA-W2



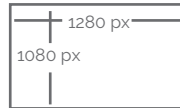
GESS XTREME™

Excellent security camera 4 in 1 technology

AHD/TVI/CVI/Analog



4 in 1



1080p resolution



Weather proof



Vandal Resistant

MAIN FEATURES

- 1/2.8" 2.16MP SONY
- 100 dB Double Shutter WDR
- Auto Defog, HLC, Privacy mask, motion detection, 32X Sense up
- HDCVI/HDTVI/AHD(output Selectable from OSD Switch) & CVBS output simultaneously
- Multi Languages OSD Control from Recorder
- Built-in Mic(Optional)
- DC12V

RECOMMENDED USE

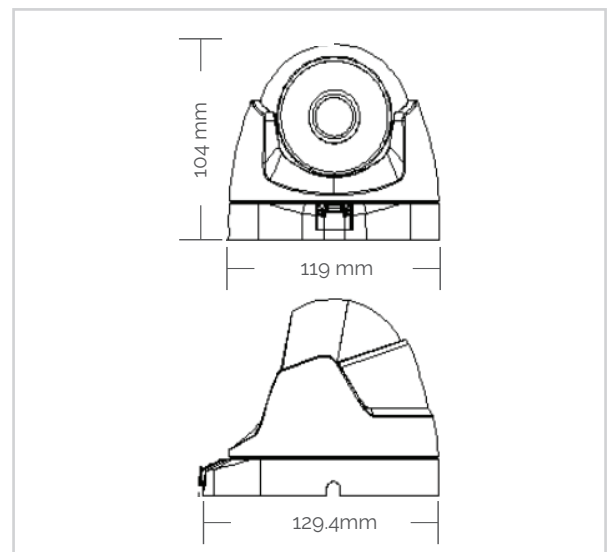
This product is ideal for:

- Applications that require the camera to be mounted higher than normal installation heights; such as high ceilings or walls.
- Long Range distances.
- Commonly used in Outdoor Applications.

IP 66

Totally protected against dust and water projected in powerful jets (12.5mm nozzle) against the enclosure from any direction shall have no harmful effects.

DIMENSIONS





TECHNICAL SPECIFICATIONS

SKU #

GESSX-2ACT620CMVRA-W2

| | |
|------------------------------|---|
| Image Sensor | 1/2.8" 2.16MP SONY |
| Effective Pixels | 1945(H) 1097 (V) |
| Resolution | Digital: 1920 x 1080p (1080p/30fps) Analog:700TVL |
| S/N Ratio | ≥ 50dB (AGC Off) |
| Min. Illumination | COLOR0.00 1Lux@(F2.0AGC ON) B&W0.0001Lux@(F2.0AGC ON) |
| Scanning System | Progressive |
| Video Output | Digital: HD-CVI (TVI AHD)(1080P - 720P) Analog: 1Vp-p Composite Output (75Ω/BNC) |
| Day&Night | EXTERN,COLOR, B&W,AUTO |
| White Balance | Auto |
| OSD | English / Chinese |
| Defog | OFF/ON |
| WDR | OFF/LOW/MIDDLE/HIGH |
| Privacy Mask | ON/OFF (16 Areas) |
| Motion Detection | ON/OFF (4 Areas) |
| IR LED | 3pcs IR Array |
| Lens | 2.8-12mm Auto Focus |
| IR Range | 40m |
| Power Supply | DC12V±10% |
| Power Consumption | <5W |
| Weight | 510g |
| IP Rating | IP66 |
| Storage Temperature | .-20~60 °C |
| Working Temperature/Humidity | -10 ~60 °C, Humidity 90% or less (non-condensing) |

🌐 www.gess-inc.com ✉ info@gess-in.com

USA | PUERTO RICO | COLOMBIA



GESS[®]
TECHNOLOGIES